



LEFROY BROOKS

1 8 2 8 T R O U T M A N S T R E E T
R I D G E W O O D N E W Y O R K N Y 1 1 3 8 5 U S A
T : + 1 (7 1 8) 3 0 2 5 2 9 2 F : + 1 (7 1 8) 3 0 2 4 1 7 7

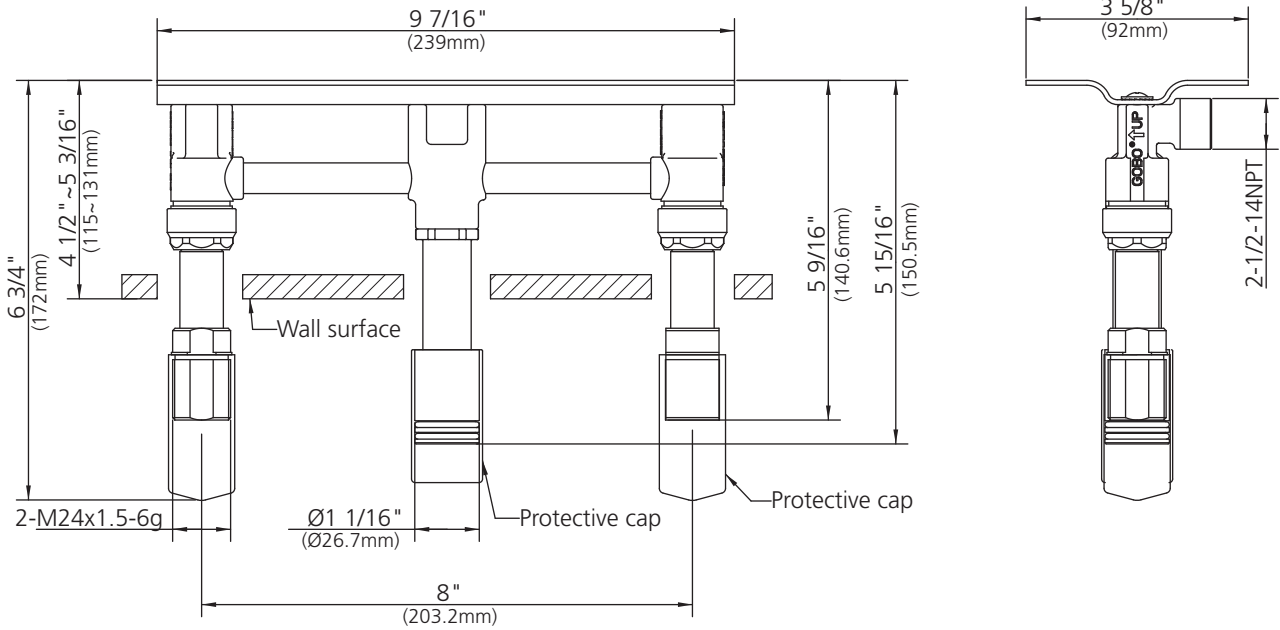
R1-4036

LEVER WALL-MOUNTED 3-HOLE BATH FILLER ROUGH, TO SUIT
M1-2401, CW-2401 & CB-2401

DIMENSIONAL DATA SHEET

DATE: 27 June 2012

No: A66F534



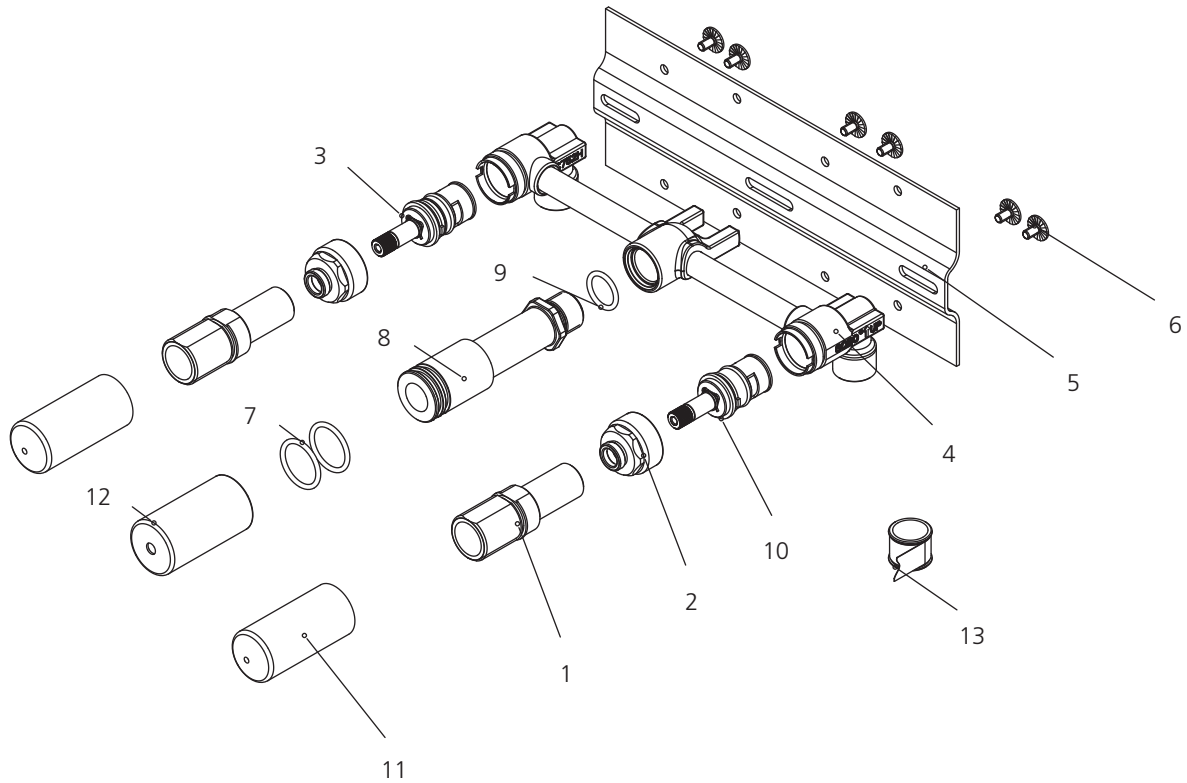
COPYRIGHT © LBIP LTD 2012. ALL RIGHTS RESERVED.

DIMENSIONS IN INCHES & MILLIMETRES

WHILST EVERY EFFORT IS MADE TO ENSURE THE ACCURACY OF THESE DATA SHEETS THEY ARE SUBJECT TO CHANGE WITHOUT NOTICE AS PART OF THE COMPANY'S PRODUCT DEVELOPMENT PROCESS

R1-4036

LEVER WALL-MOUNTED 3-HOLE BATH FILLER ROUGH, TO SUIT M1-2401, CW-2401 & CB-2401

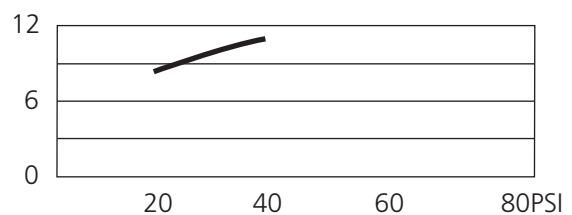


- | | | | |
|---|------------------------------------|----|------------------------------------|
| 1 | Adaptor (067733) | 8 | Adaptor (067185) |
| 2 | Retainer nut (016231) | 9 | O-ring (004010N) |
| 3 | Cartridge assembly (H) (507071N) | 10 | Cartridge assembly (C) (507072N) |
| 4 | Body (061058) | 11 | Protective cap (038007) |
| 5 | Back plate (126671-S) | 12 | Protective cap (045433) |
| 6 | Screw (008013) | 13 | Teflon tape (203000) |
| 7 | O-ring (048046) | | |

Standards

IAPMO/cUPC Listed
Meets A112.18.1

Flow Rate



Please note :

Final achievable flow rate is dependent on the outlets fitted, see relevant outlets (spouts, roses, sprays) for fully assembled product flow rate.